

Digital Intra-oral Sensor Pluto 0001X / Pluto 0002X

- | APS CMOS technology
- | Smart AED-Compatible for variety X-Ray sources
- | Direct deposition CSI-Lower dose imaging
- | USB 2.0 direct connection
- | Slim, rounded corner and thumb position
- | IP68 - High Reliability

IMAGING THE FUTURE

iRay Pluto Intra-oral Sensor family, based on advanced APS CMOS together with the leading technologies such as smart AED, direct deposited CSI scintillator and ergonomic design. Brings optimal digital imaging to your daily practice.

Digital Intra-oral Sensor

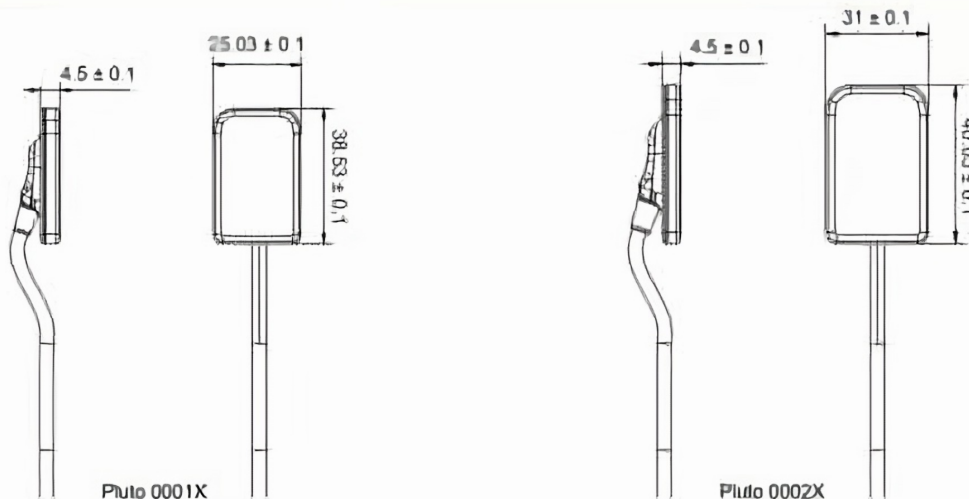
Technical Specifications

Pluto 0001X / Pluto 0002X

Products	Pluto 0001X	Pluto 0002X
Mechanical Dimensions (mm ^l)	25.0 × 38.5 × 4.5	31.0 × 40.0 × 4.5
Active Area (mm ²)	20 × 30	26 × 36
Pixel Matrix	(1.5 M) 1000 × 1500	(2.34 M) 1300 × 1600
Color		
Sensor Technology	APS CMOS	
Scintillator	Directly deposited CsI(Tl)	
Length of Cable (m)	Standard 3m / Option 5m	
Pixel Pitch (μm)	20	
Spatial Resolution (lp/mm)	Theoretical: 25 lp/mm Actual: 14 ~ 16 lp/mm (High Sensitivity) 18 ~ 20 lp/mm (High Resolution)	
Gray Level	16 bit 65535 grade	
Exposure Mode	Smart AED	
Ingress Protection	IP68 for Soak disinfection	
Additional	Support TWAIN protocol	
Operation System	Windows 7 and above, 32 / 64 bit	

Dimensions

Unit: mm



www.iraygroup.com

Manufactured by IRay Technology specifications subject to change without notice.
Copyright © 2020 IRay Technology. All Rights Reserved.

CHINA iRay Technology Company Limited

Building 45, No. 1000, Jinshui Road,
Pudong New Area, Shanghai,
China 201200
Tel: +86-21-5072 0560
Fax: +86-21-5072 0561
Email: market@iraygroup.com

iRay Technology Taicang Ltd.

No.33, Xinggang Road, Taicang Port
Economic and Techn. Devel. Zone,
Taicang City, Jiangsu Province,
China 215400

KOREA iRay Korea Limited

1820, 10F, 5, Gasan digital
1-ro, Gerngcheon-gu, Seoul,
Republic of Korea 00594
Tel: +82-2-6335-6333
Fax: +82-2-6335-6334
Email: market@iraykorea.com

EUROPE iRay Europe GmbH

In den Dorfweiden 14
71720 Oberstenfeld, Germany
Tel: +49-7002-077 0000
Fax: +49-7002-077 0071
Email: sales@irayeuropex.com

